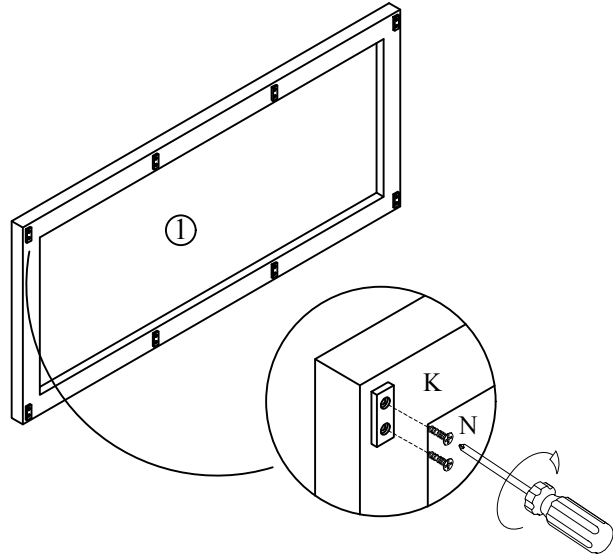


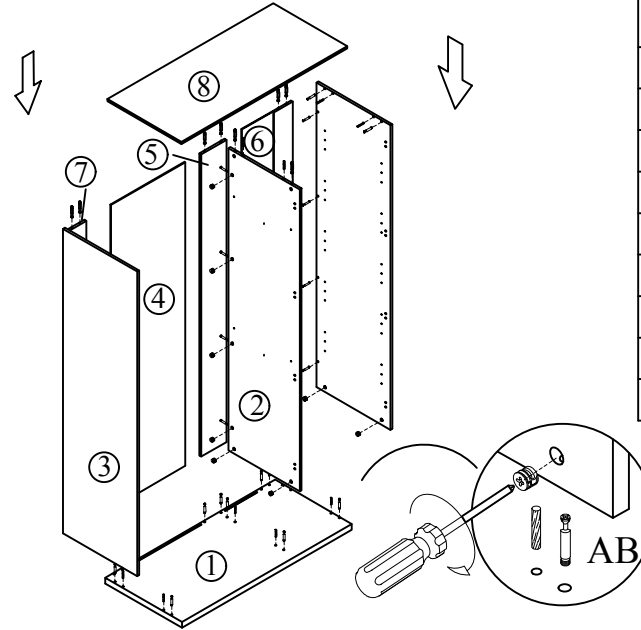
# Assembly Instruction

Item No: 3 Doors Wardrobe

1

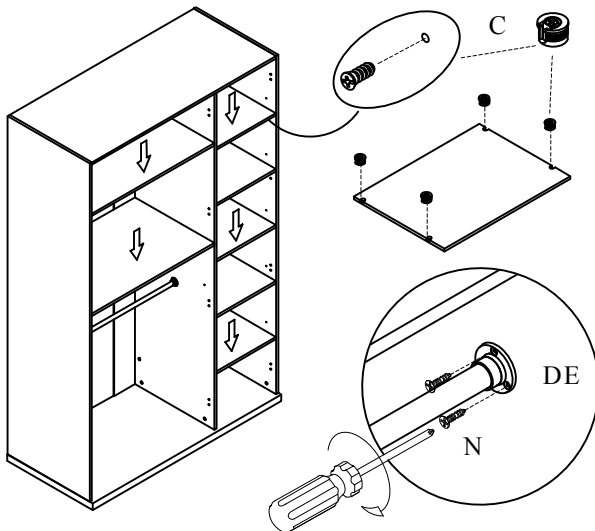


2

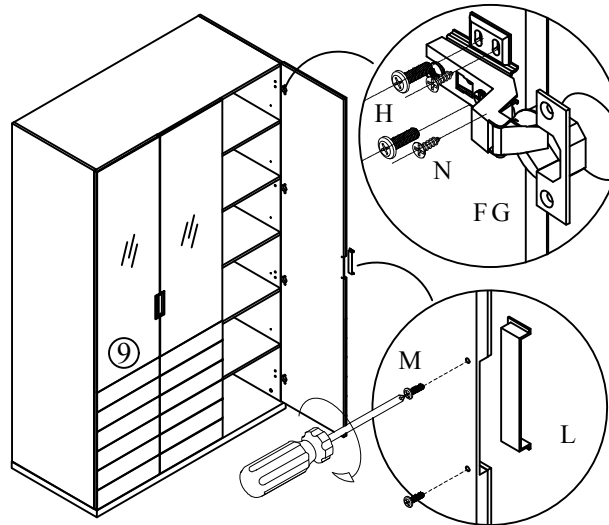


NO	list of parts	Qty	NO	Hardware/Components list	Qty
①	Bottom board	1	A	3in1 connector	36
②	MI-Side board	1	B	Wood Nog	12
③	Side board	2	C	Board Support	28
④	Back board	1	D	Pole Support	4
⑤	Back board	1	E	Pole for Cloth	2
⑥	Back board	1	F	hinge	8
⑦	Back board	2	G	hinge	4
⑧	Top board	1	H	Screw Scr	48
⑨	Door	2	N	Screw Scr	72
			J	Backplane buckle	16
			K	leg nail	8
			L	Handle	3
			M	Handle Screw	6

3



4



5

