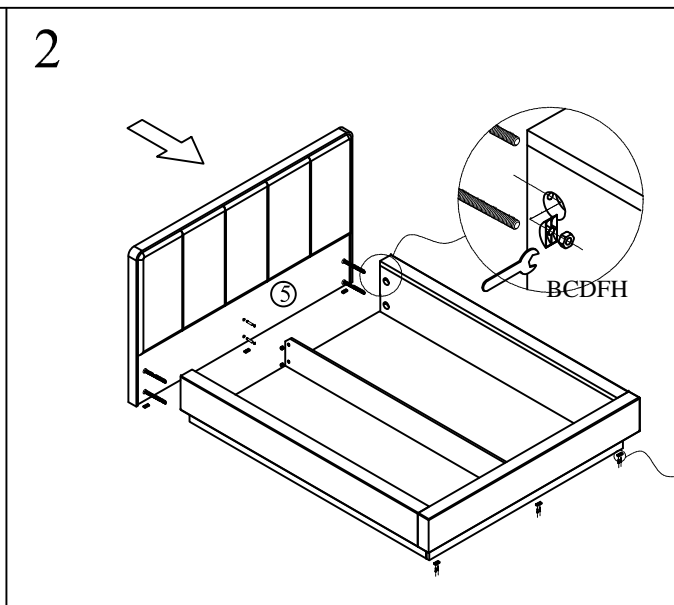
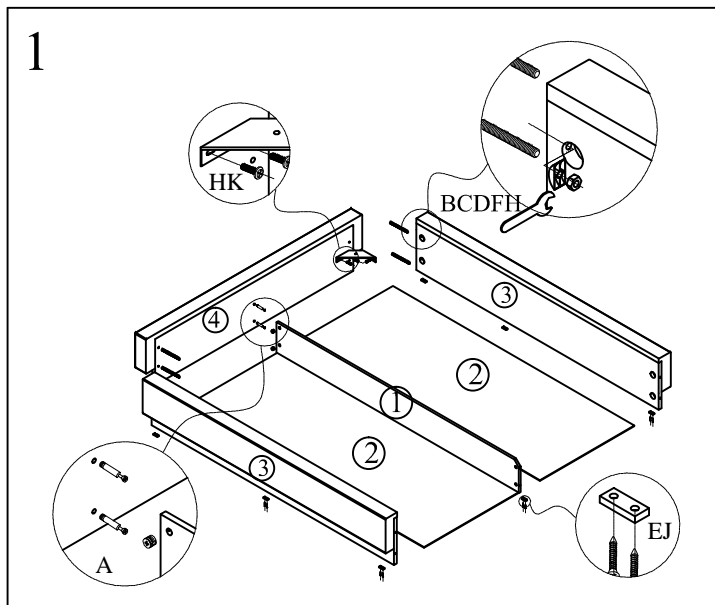


Assembly Instruction

Item No: 1.6m Bed



NO	list of parts	Qty	NO	Hardware/Components list	Qty
①	Frame	1	A	3in1 connector	4
②	Bottom board	2	B	connector	8
③	Bed Side	2	C	Nut	16
④	Foot board	1	D	Spacer	34
⑤	Head board	1	E	Screw Scr	30
⑥	hydraulic device	2	F	full thread rod	8
⑦	bed slate	1	G	Screw Scr	8
			H	Screw Scr	18
			I	wrench	1
			J	leg nail	15
			K	connector	2

